

# GaAs PIN Device

## Features:

- Advanced InGaAs PIN Design
- High Responsivity PIN
- High Linearity uncooled PIN
- Optional package type FC/SC/ST
- Rohs Compliant

## Applications:

- Instruments and Meters
- Wireless fiber-optic repeaters

## Absolute Maximum Ratings

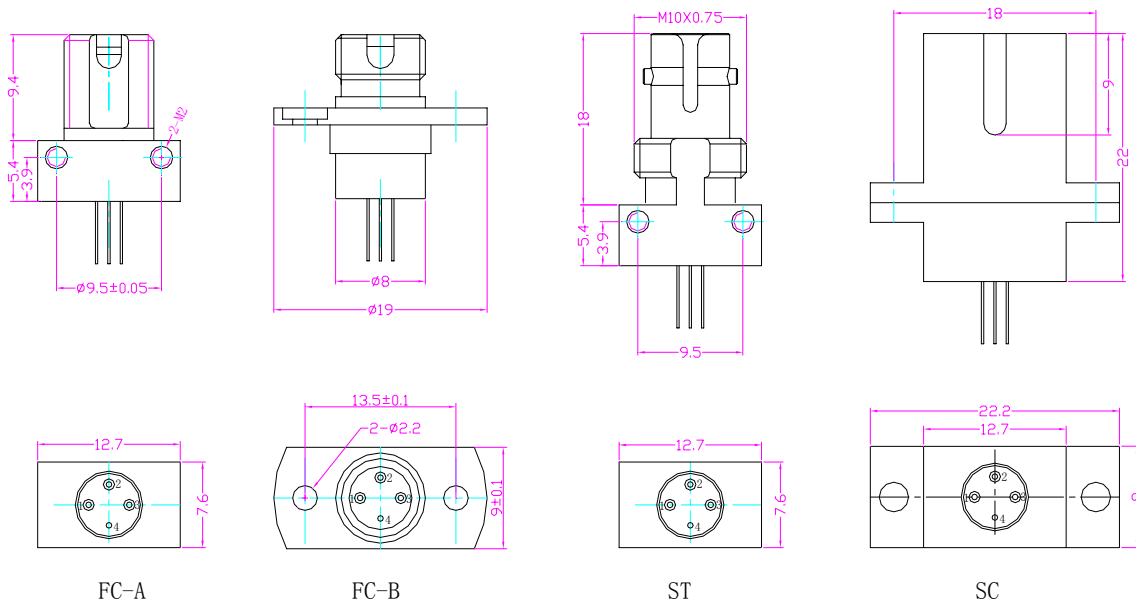
Parameter	Symbol	Min	Max	Unit
Operating Case Temperature	Top	-40	85	°C
Storage Temperature	Tstg	-40	100	°C
Reverse Bias (PIN)	Vr	-30		V
Soldering Time	S		10	S
Soldering Temperature			260	°C
Fiber Bend Radius		30		mm

## Receiver Parameters:

Parameters	Min	Type	Max	Unit
Dark Current of PD		0.3	1	nA
Responsivity	$\lambda = 1300\text{nm}$	0.8	0.85	A/W
	$\lambda = 1550\text{nm}$	0.85	0.9	
Range Of Wavelength	850		1650	nm
Optical return loss	40			dB
Capacitance		0.4	0.8	pF
Attenuation Power	10	20	30	
Saturation Power	2			mW

## Pin Assignment:

1 FC/ST/SC Receptacle



**Pin Assignment**

PN	Type A	B	C
1	TO case	Cathode	Anode
2	NC	NC	NC
3	anode	Anode	Cathode
4	Cathode	Case	Case

**Order information:**

Receptacle

SRO-ABCDEF

A(PIN type)	B(Pin P)	C(sensitivity)	D(Data rate)	E(Voltage)	F ( Package)
1-Si-PIN	1-55um	1\<-36dBm	1\ 2Mb/S	3-3.3v	SC
2-APD-PIN	2-75um	2\<-31dBm	2\ 155Mb/s	5-5v	FC
3-G-Pin	3-300um	3\<-26dBm	3\ 622Mb/s		LC
4-4pin-tia	4-500um	4\<-20dBm	4\1.25Gb/s		
5-5pin-tia	5-1000um	5\<-18dBm	5\2.5Gb/s		
6-APD	6-2000um	0\Other	6\10Gb/s		
	7-3000um		0\Other		
	0-other				